



CB2600

COM Express Type 6 SBC Module carrier for embedded applications

Features:

- ★ COM Express Type 6 Compact or Basic Module carrier
- ★ Supports vast variety of currently available processors
- ★ Same physical dimensions as COM Express Basic Module
- ★ MiniPCIe Socket (supports Half-Mini and/or Full-Mini Cards)
- ★ Two Gigabit Ethernet ports
- ★ Two SATA ports
- ★ Two USB 3.0 (Super Speed) ports
- ★ Two USB 2.0 (High Speed) ports
- ★ VGA Video
- ★ DVI Video
- ★ LVDS Video
- ★ Two RS-232 Serial ports
- ★ Eight GPIO pins
- ★ Four-pin Fan header with Tach and PWM
- ★ Standard 24-pin ATX power supply connector
- ★ Commercial or Extended temperature
- ★ Rigel's Standard 3 Year Warranty



**COM Express SBC Board
Stack using the CB2600**

Rigel's CB2600 is a COM Express carrier that supports Type 6 COM Express processor modules. The footprint of the CB2600 is the same as a Basic size module (125 x 95 mm) and is ideal for use with Basic and Compact size modules in size constrained and rugged environments.

The CB2600 provides access to a wide range of COM Express Module supported I/O, such as VGA, DVI, LVDS, 4x USB (2x USB 3.0), 2x SATA, 2x Gigabit Ethernet, and 4x UARTs. The 2 SATA ports and 2 Ethernet ports use industry standard connectors. All of the interfaces use locking connectors for rugged environments.

In addition to the COM Express standard Gigabit Ethernet port (GBE0), the CB2600 provides a second Gigabit Ethernet port using the Intel 82574 GbE controller. It is connected to the COM Express Module using a single PCIe lane (PCIE1).

A single dual-use (full-mini or half-mini) Mini-PCIe socket is provided and is especially useful for adding a wide range of mass storage or wireless Ethernet options to the board. The Mini-PCIe socket is connected to both PCIe (PCIE0) and USB (USB6).

The CB2600 utilizes the Cirrus Logic CS4207 High Definition Audio Codec to provide both stereo line-in and stereo line-out connections. The line-out supports sampling rates from 32 kHz to 192 kHz with a THD of 94 dB. The line-in supports sampling rates from 8 kHz to 96 kHz with a THD of 88 dB.

Beyond the two RS-232 serial ports connected to the COM Express general purpose serial interfaces (SER0 and SER1), an additional 2 RS-232/RS-422/RS-485 serial ports are implemented using the FTDI FT230X USB to UART converter.

Hardware Specifications

COM Express

- ★ Supports Compact and Basic sized modules
- ★ COM Express Type 6 signaling
- ★ PICMG COM.0 Revision 2.1 Compliant

MiniPCIe

- ★ One MiniPCIe Socket
- ★ Full-Mini & Half-Mini Support
- ★ Supports PCIe and USB

Gigabit Ethernet

- ★ Two Gigabit Ethernet ports
- ★ Intel's 82574 Gigabit Ethernet Controller
- ★ On-board magnetics
- ★ 2x 1000BASE-T

LVDS

- ★ Dual channel, up to 24-bits per pixel
- ★ Jumper selectable +5V or +3.3V Power
- ★ I2C or PWM Backlight control
- ★ EDID EEPROM

Audio

- ★ High-Definition Audio
- ★ Line in: 8-96KHz, 88dB THD, 105dB Dynamic range
- ★ Line out: 32-192KHz, 94dB THD, 110dB Dynamic range

Serial ports

- ★ Two RS-232 ports
- ★ Two RS-232/422/485 ports with H/W flow control

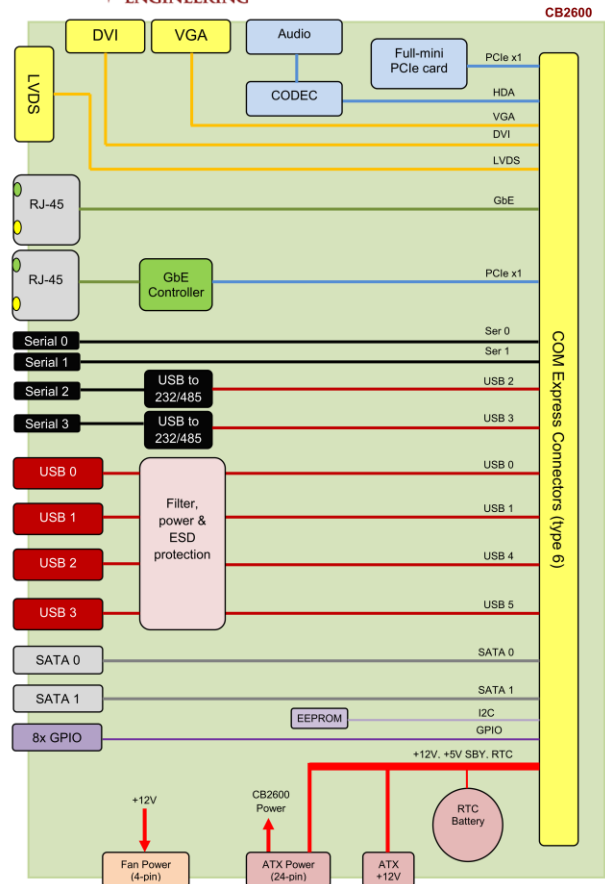
Miscellaneous

- ★ Momentary power and reset buttons with jumper enables
- ★ Power fail, SATA activity and Ethernet link/activity LEDs
- ★ Four-pin Fan connector

Physical / Electrical / Environmental

- ★ COM Express Basic-size (125 x 95 mm)
- ★ 3.4 oz / 98 grams
- ★ +12V Maximum power: Determined by Module
- ★ +5V Maximum power: Determined by Module
- ★ +3.3V Maximum power: Determined by Module
- ★ Temperature:
 - Operating (standard): 0°C to +70°C
 - Operating (extended): -40°C to +85°C
 - Storage (all): -40°C to +85°C
- ★ Relative Humidity:
 - Operating: 5% to 95%, non-condensing
 - Storage: 5% to 95%, non-condensing

RIGEL ENGINEERING



Ordering Information

CB2600-xx00

Base Model _____

Operating Temperature & Cooling Options _____

0 = 0°C to +70°C
1 = -40°C to +85°C
Z = Customer specific board configuration

MiniPCIe Connector Height _____

0 = 4mm Board to board (Standard)
1 = 1.5mm Board to board
2 = 6mm Board to board
Z = If Operating Temperature/Cooling Option is a "Z", this digit may have a different meaning

Reserved _____

Reserved _____

At Rigel Engineering, we are dedicated to working directly with your Engineers and System Designers to provide the best possible solution that meets or exceeds your requirements.

Custom solutions with off-the-shelf pricing